

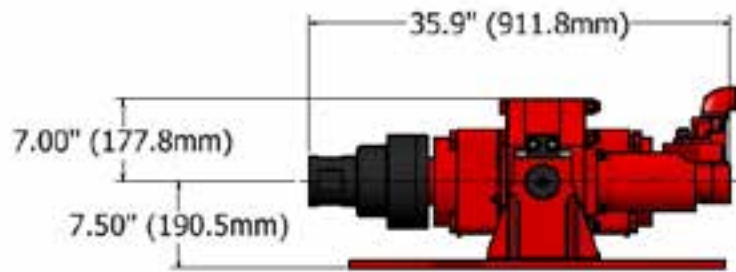
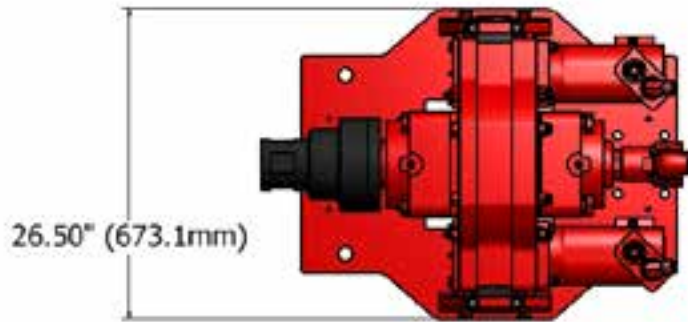
RDS1000

ROTARY HEAD

A heavy duty hydraulic rotary head for drilling attachments and large drill rigs. The RDS1000 is designed for smooth operation and simple maintenance to be used for general rotary drilling applications.

- Flange Connection
- 2-Speed Rotary
- Optional Shock Sub

RDS1000 | ROTARY HEAD



	US	METRIC
Rotation Torque	10,000 ft-lbf	1,355 daNm
Rotation Speed	Up to 150 rpm	Up to 150 rpm
Supply Pressure	3000 psi	207 bar
Supply Flow	38 gpm	144 lpm
Flushing Shaft ID	1-1/2"	38 mm
Weight	784 lbm	355 kg
Output Threads	2-3/8" API Regular Male & Female, 3-1/2" API Regular Male & Female, 1-5/8" Auger Hex, Other Threads Available	

Used on PCFH or HCFH feed systems.

TEI technical specifications consider a 40% hydraulic power loss.