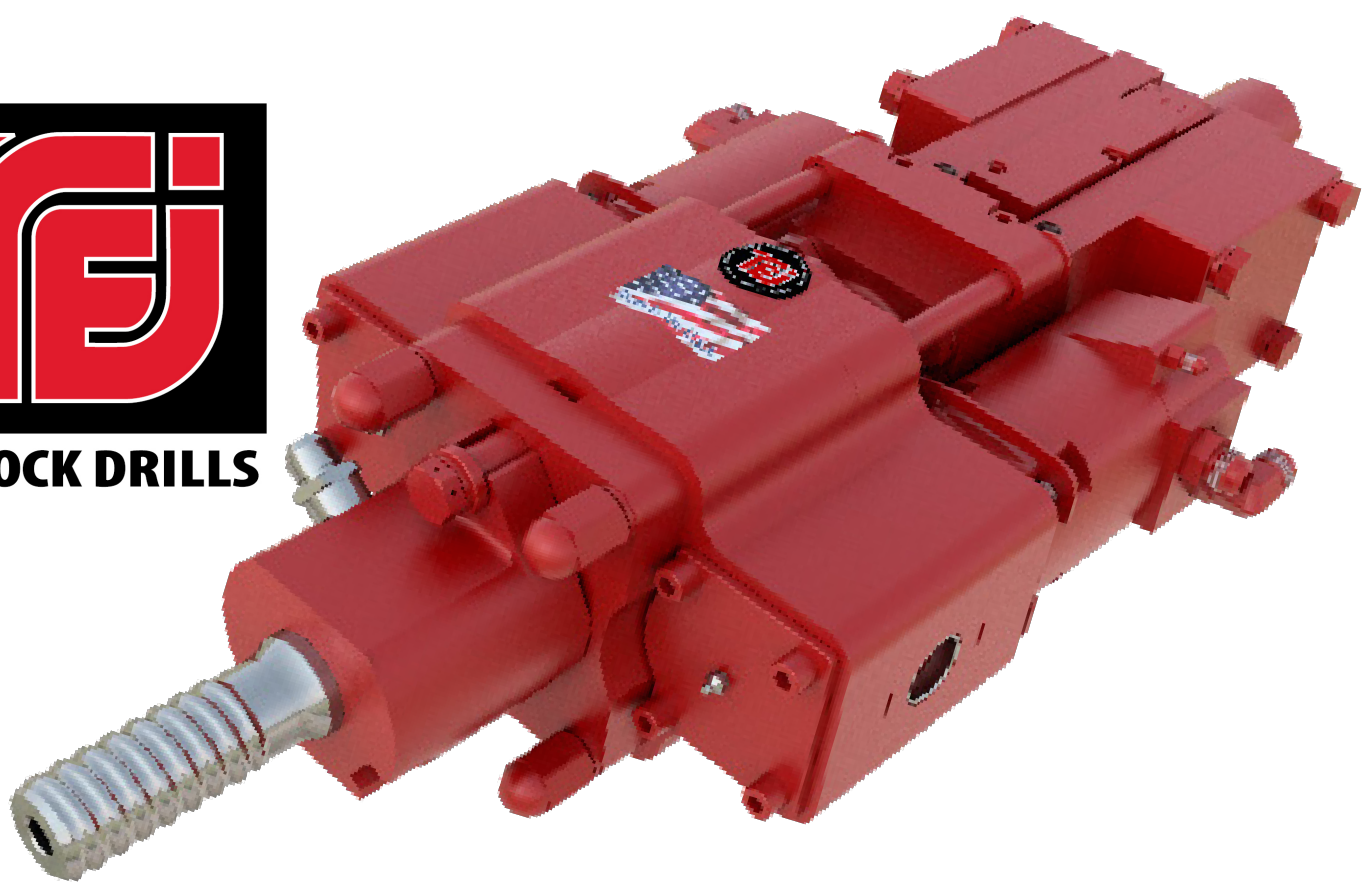




TEI ROCK DRILLS



TE760

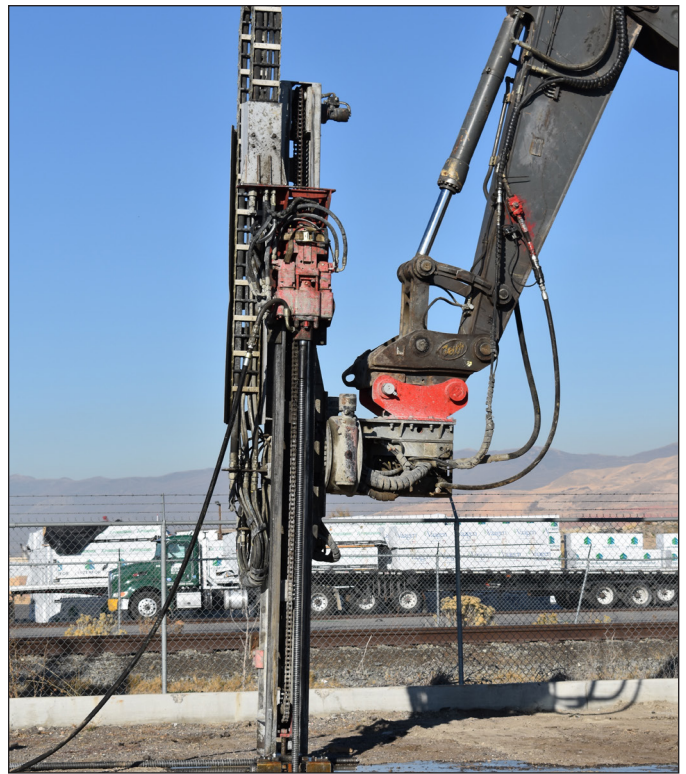
HYDRAULIC DRIFTER

The TE760 has 3 power outputs to ensure our drifter meets all drilling requirements in its performance range.

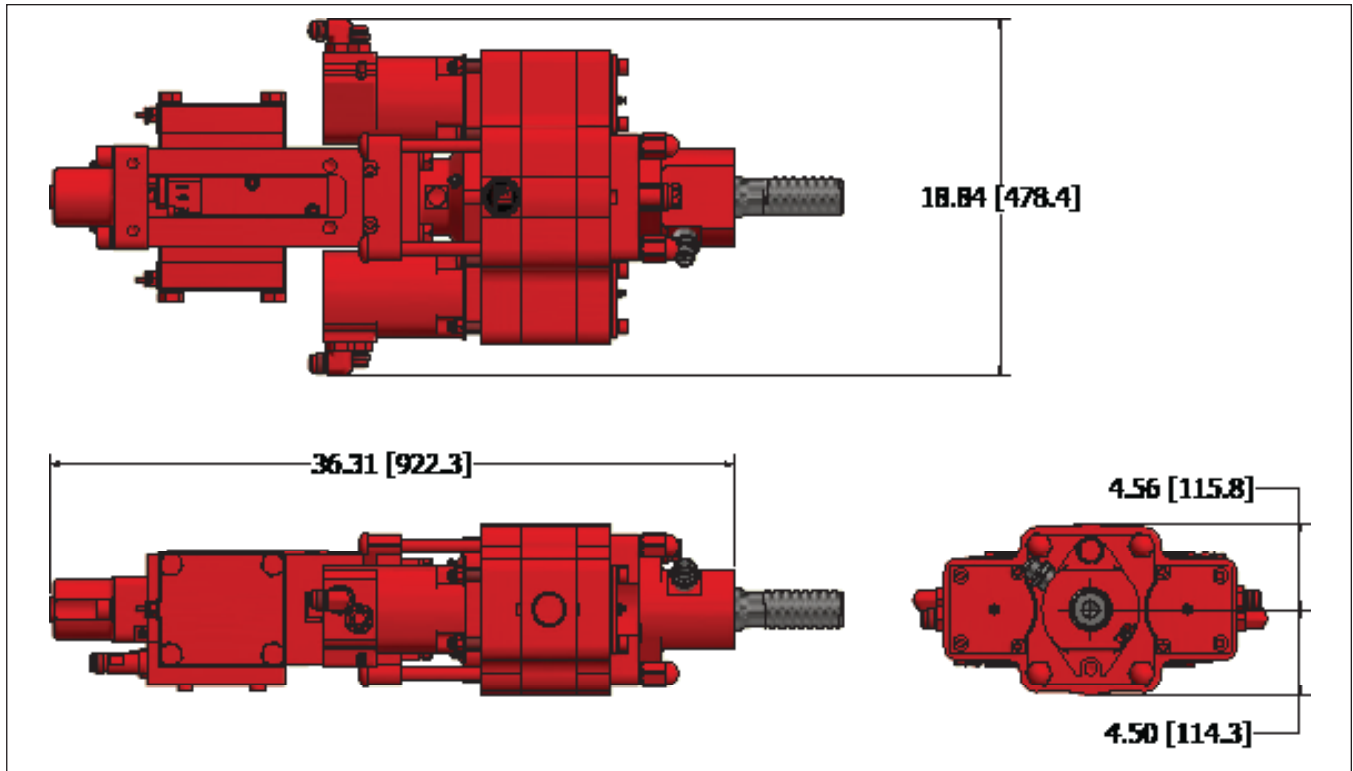
The Automatic Stroke Adjustment (ASA) makes for smooth operation, greater efficiency and the best drifter protection (longer service life).

This feature also gives the drifter dampening at both the strike point and return point for longer seal life and tooling life.

The heavy duty front head design with increased torque is optimal for both long hole face drilling and vertical blast hole drilling.



HARD ROCK & ANCHOR DRILLING



ROTATION SPECIFICATIONS

	U.S.	Metric
ROTATION TORQUE	3000 lbf-ft	4067 Nm
ROTATION FLOW	15 - 25 gpm	57 - 95 lpm
ROTATION PRESSURE	3000 psi	207 bar
WEIGHT	530 lb	240 kg
SPEED	200 rpm	

HAMMER SPECIFICATIONS

	U.S.	Metric
OUTPUT POWER	24 hp	18 kW
HAMMER FLOW	27 gpm	102 lpm
HAMMER PRESSURE	2500 psi	172 bar
HAMMER FREQUENCY	3600 bpm	60 Hz

SHANKS AVAILABLE

R32, R38, T38, T45, T40, T51, T52, W38, W51, H552H, H55RH, T52HRH



800.777.3745 | 970.249.1515 | WWW.TEIROCKDRILLS.COM

Specifications subject to change without notice.
TEI technical specifications consider a 40% hydraulic power loss.



QUALITY POLICY
CONTINUAL IMPROVEMENT OF CUSTOMER VALUE THROUGH
INNOVATION, EFFICIENCY AND INTEGRITY

TEI08.039.B
REV 02/17/2021